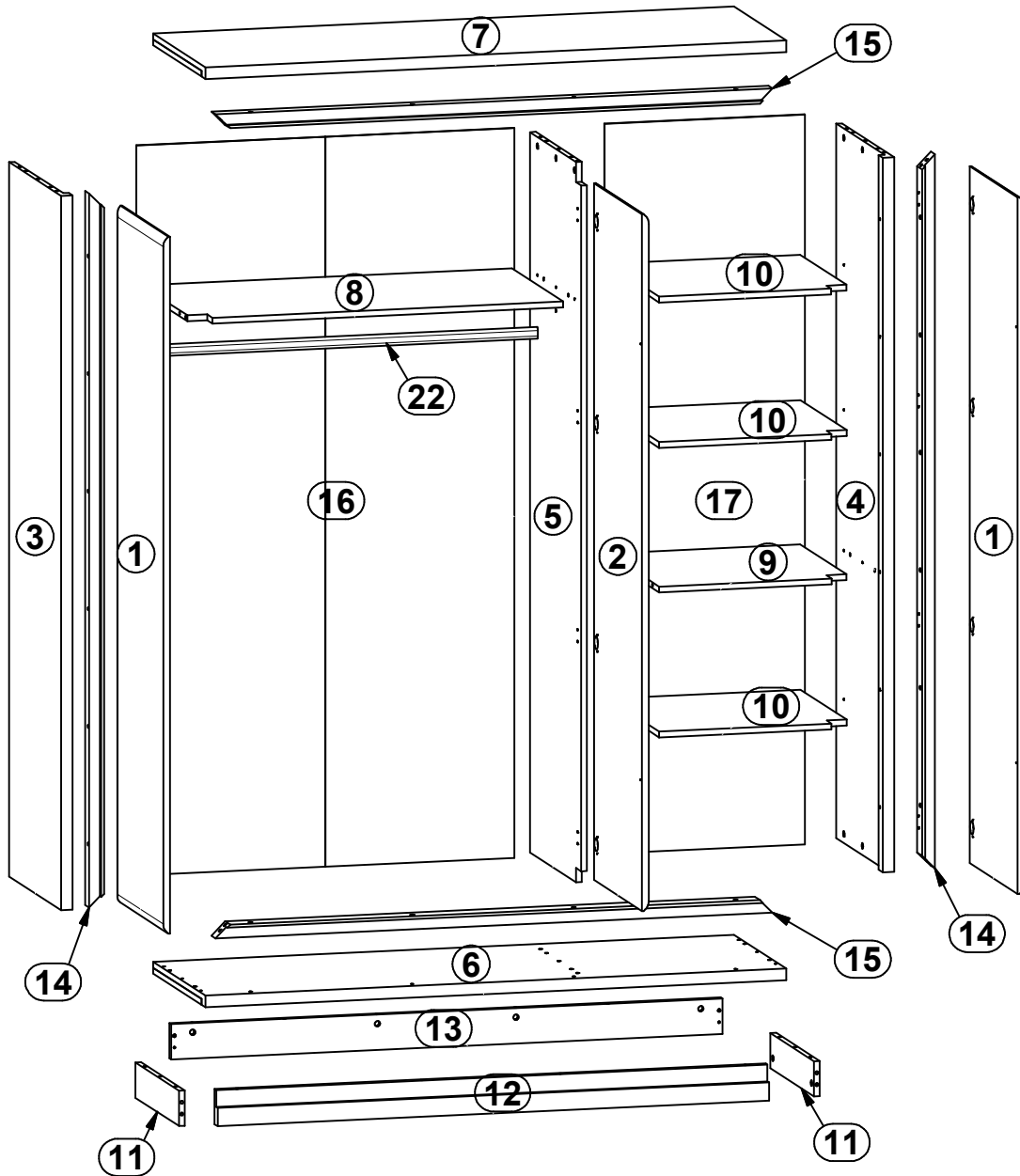
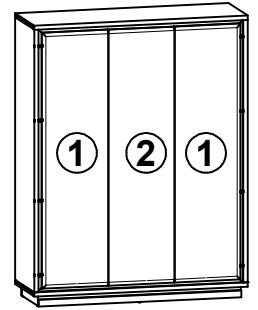


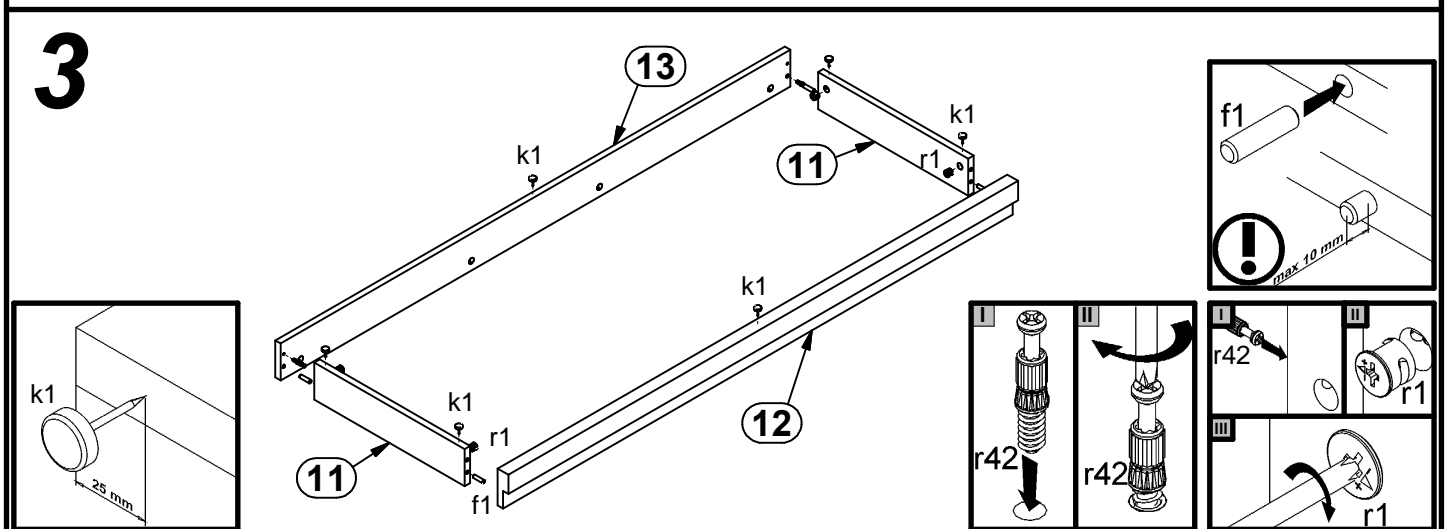
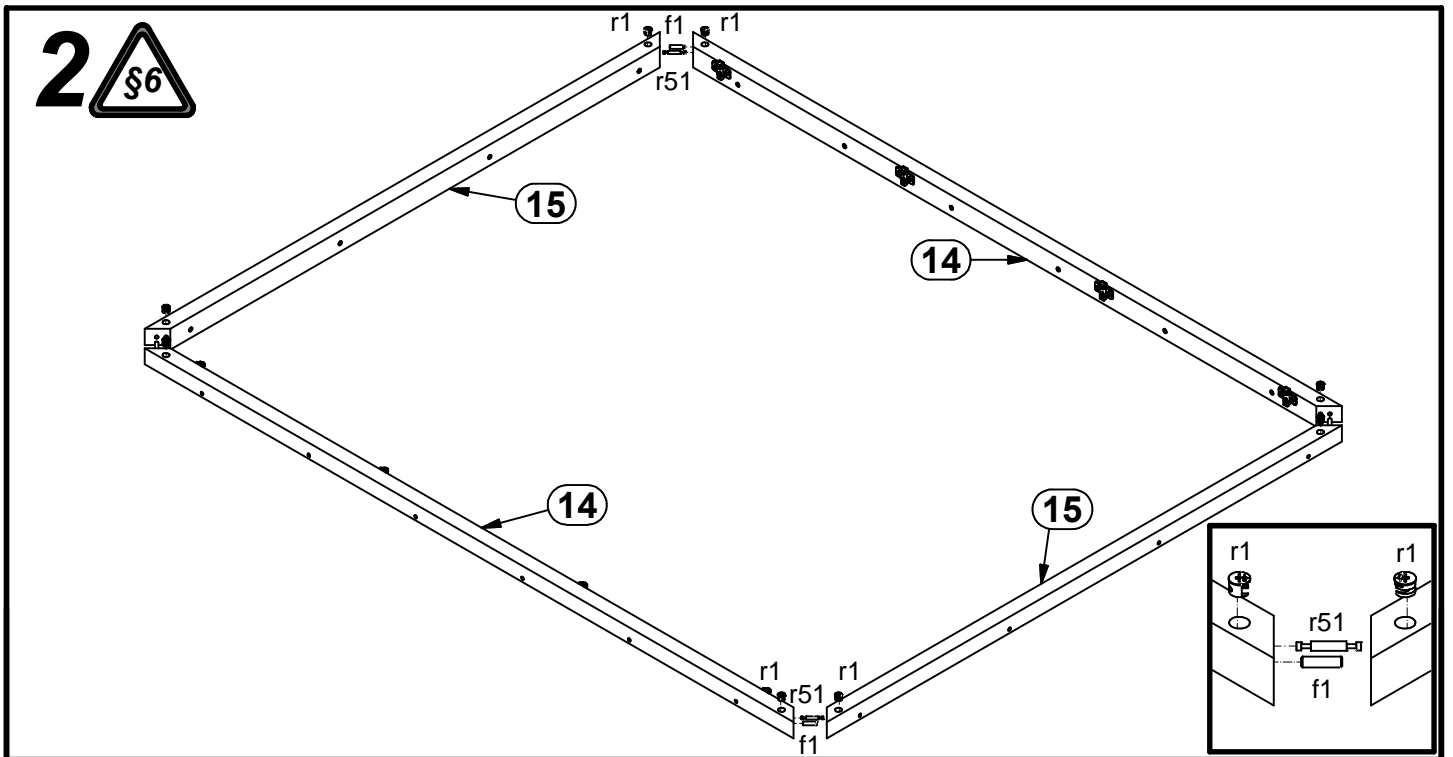
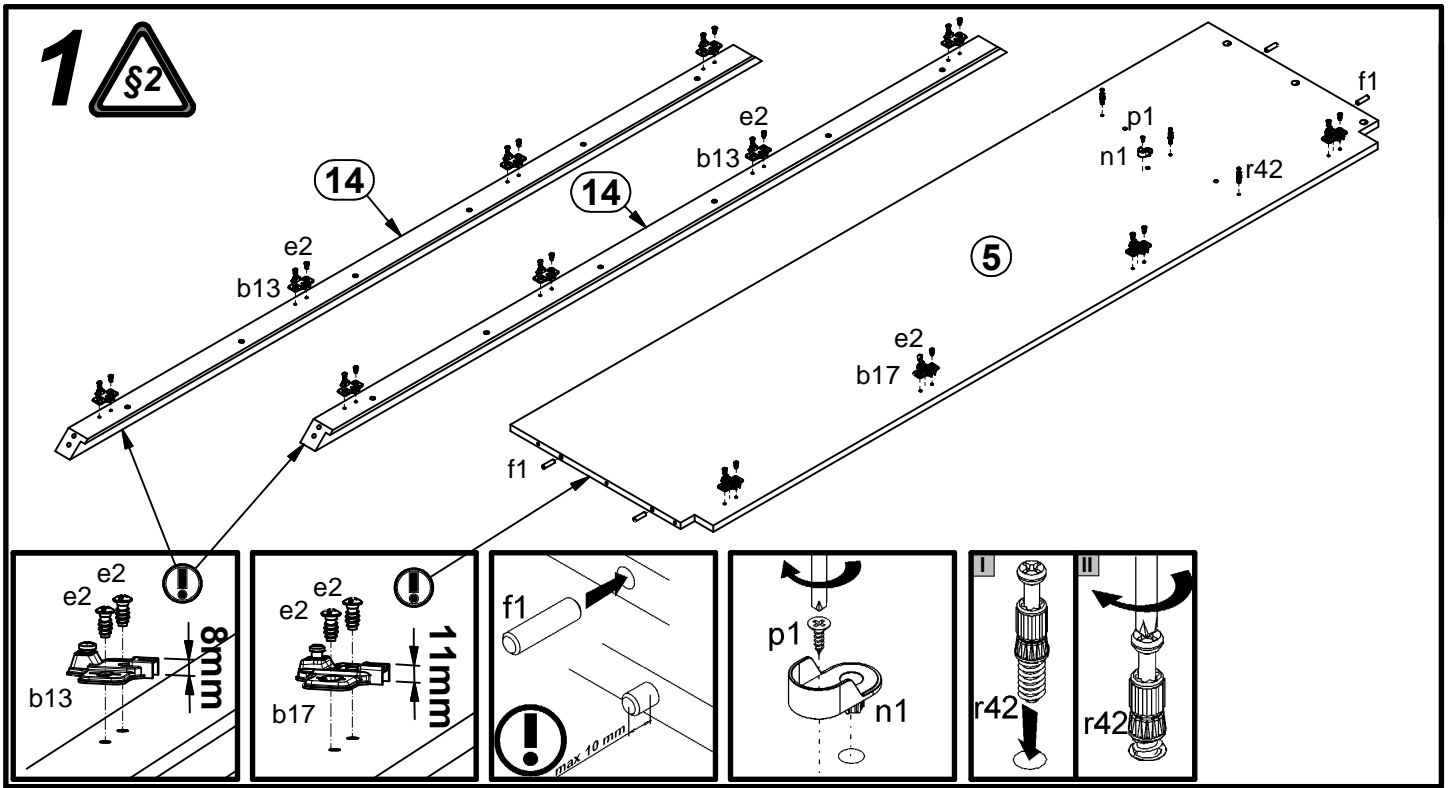
AREKA

S131-SZF3D

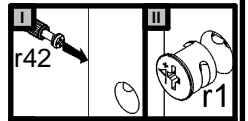
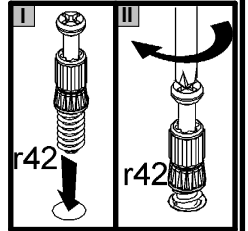
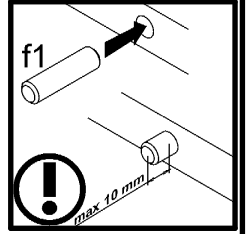
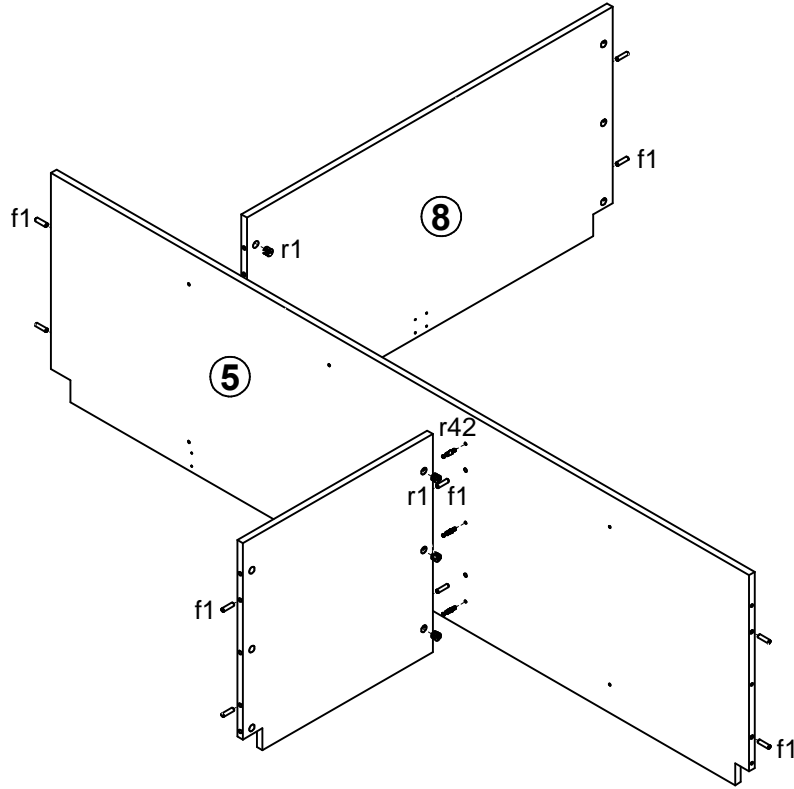
A	B	C	D	A	B	C	D		
1	S131-022	1896	496	5/5	10	S131-310	532	525	2/5
2	S131-023	1896	496	5/5	11	S131-404	450	96	3/5
3	S131-128	1944	539	1/5	12	S131-411	1527	96	3/5
4	S131-129	1944	539	1/5	13	S131-412	1527	96	3/5
5	S131-130	1960	531	1/5	14	S131-588	1943	54	4/5
6	S131-216	1609	540	3/5	15	S131-589	1543	54	4/5
7	S131-217	1609	540	3/5	16	S131-915	1986	1047	1/5
8	S131-308	1027	531	2/5	17	S131-916	1986	555	1/5
9	S131-309	533	531	2/5	22	dr-1022	1022	30	2/5



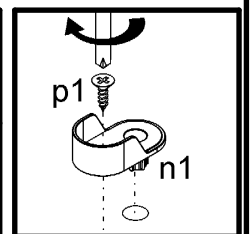
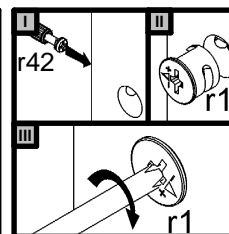
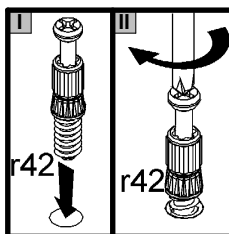
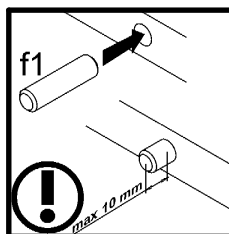
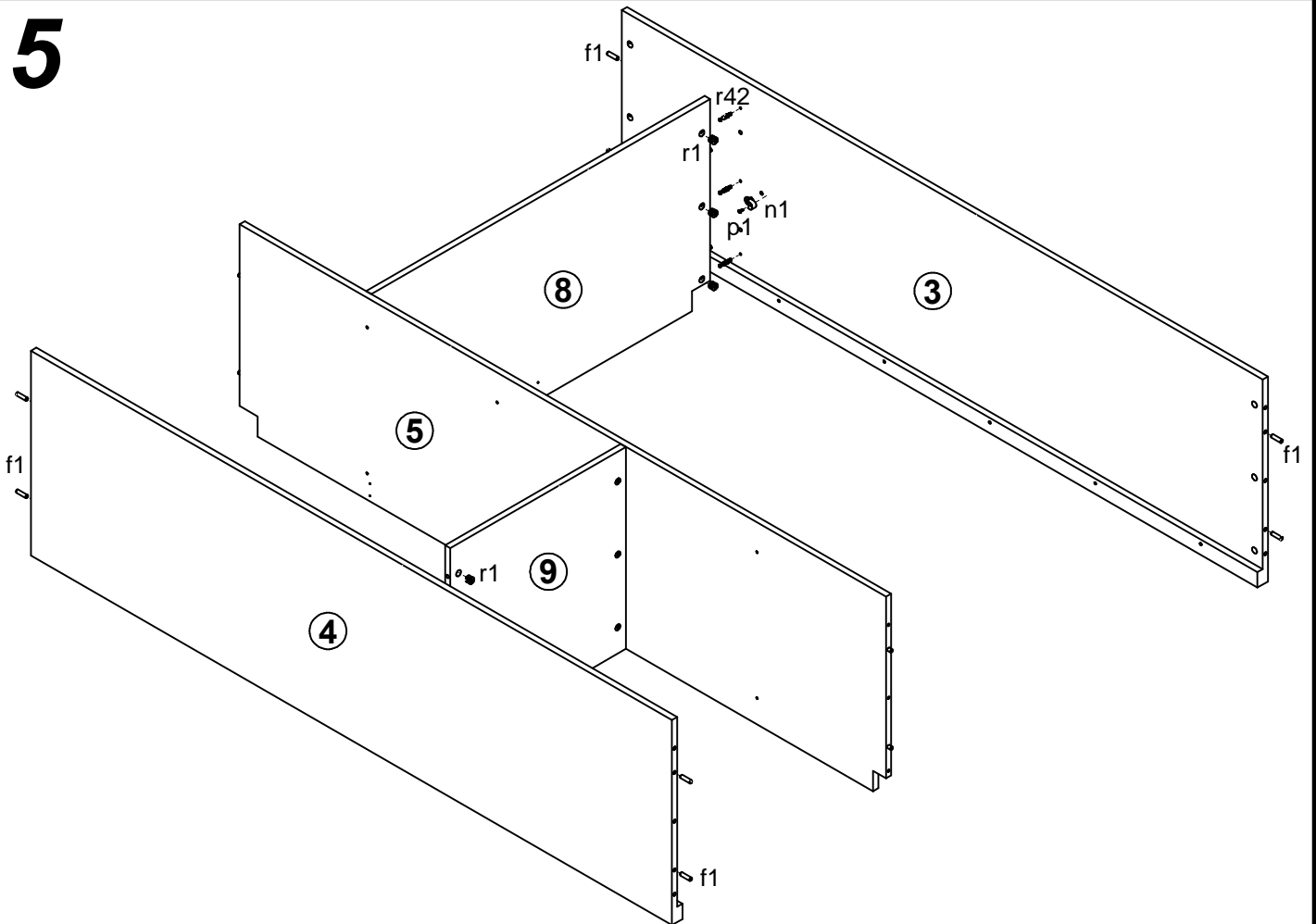
12x a98	12x a63	8x b13	4x b17	12x d1 φ5x17 mm	3x e1 φ7x50 mm	24x e2 φ6,5x13 mm	20x e8 φ7x60 mm	38x f1 φ8x30 mm
6x k1	110x l1	2x n1	2x p1 φ3,5x13 mm	24x p51 φ3,5x15 mm	9x p54 φ3x12 mm	47x r1 φ1,5x12mm #16	39x r42	4x r51
3x z2311	3x z2312	3x z2313	1x z1	1x n2611	1x p38 φ3,5x16 mm	20x s1	21x s2 ø16	



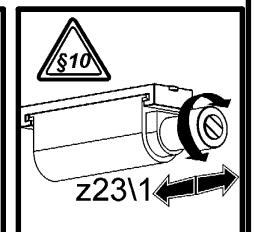
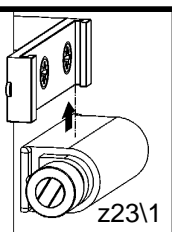
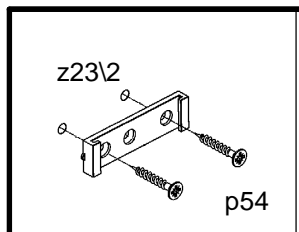
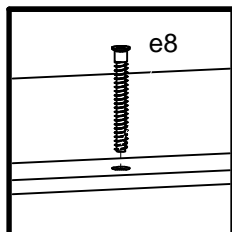
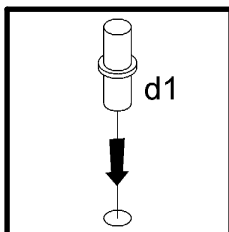
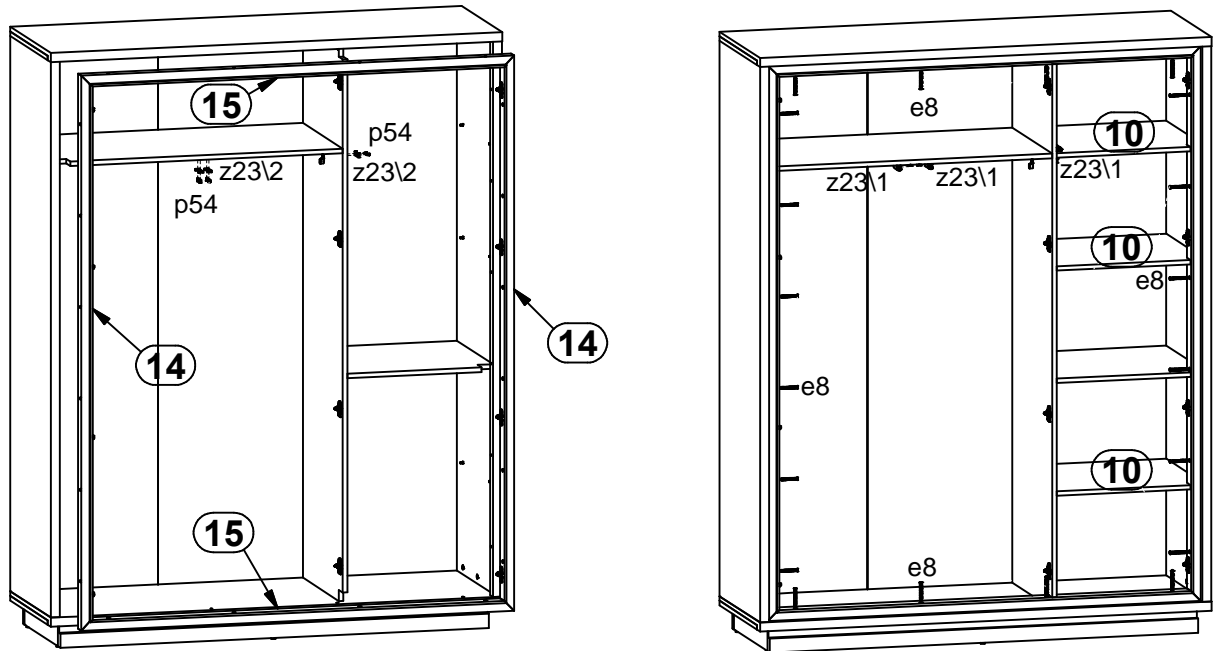
4



5



8



9

